

Ref: 40.039

Features:

- Protections: Overload / Over voltage / Short circuit
- Cooling by free air convection
- Selectable input voltage range using a switch
- Protection degree: IP20
- Constant voltage
- Low profile (height=30mm) design



Electrical characteristics	Power (W)	150W
	Voltage (V)	24V
Input specifications	Rated Voltage	100 - 120VAC / 200 - 240VAC
	Input frequency range	47Hz - 63Hz
	Power factor	≥ 0.9%
	Efficiency	≥ 86%
	Input AC current	1.6A / 230VAC, 2.8A / 115VAC
	Inrush current (max.)	60A / 230VAC cold start
	Leakage current (max.)	< 3.5mA / 240VAC
Output specifications	Voltage adjustment range	± 10%
	Rated current	6.25A
	Output line regulation	± 0.5%
	Output load regulation	± 0.5%
	Output tolerance	± 1.5%
	Ripple and noise	≤ 150mV _{P-P}
	Setup time	2500ms, 200ms / 230VAC at full load
Protections	Hold up time Typ.	20ms / 230VAC at full load
	Over current	Range: 110 ÷ 160% / Type: hicup mode, auto-recovery.
	Short circuit	Type: hicup mode, auto-recovery.
Working environment	Over voltage	27 - 33V / Type: Output voltage limiting, auto-recovery.
	Working tempetature	-30°C - 70°C Refer to derating curve
	Working humidity	20 - 90% RH on-condensing
Other	Storage temperature and humidity	-40°C - 85°C, 10 - 90% RH non-condensing
	Dimension	159x97x30mm
	Weight	0.38Kg
	Guarantee	5 years

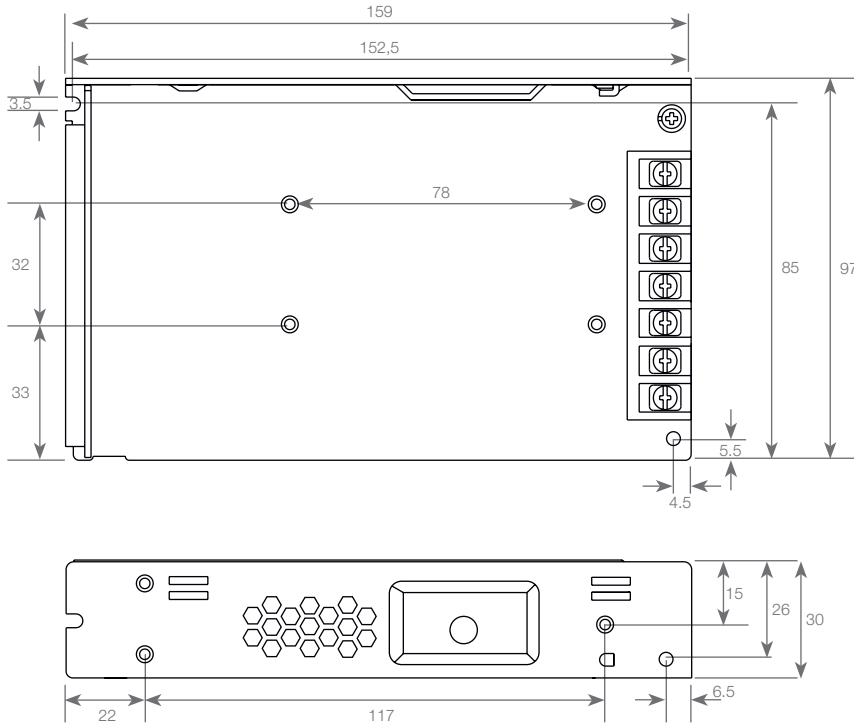


Assembly and safety information

Applied standards:

- EN 62368-1
- EN 55032
- EN 55035
- EN 61000-3-2
- EN 61000-3-3

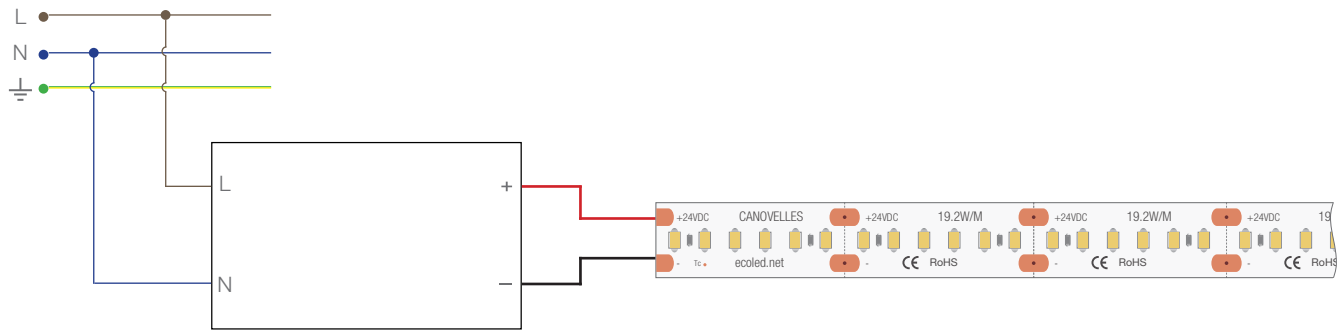
Measurements:



Pin assignment

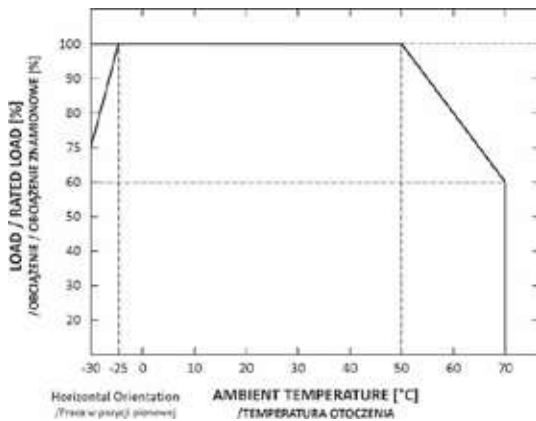
Pin No.	Tarea	In No.	Tarea
1	AC/L	4.5	DC OUTPUT -V
2	AC/N	6.7	DC OUTPUT +V
3	GND	V _{ADJ}	U _{out} adjustment

Diagram:



Type performance graphs

Derating Curve



Static Characteristics

